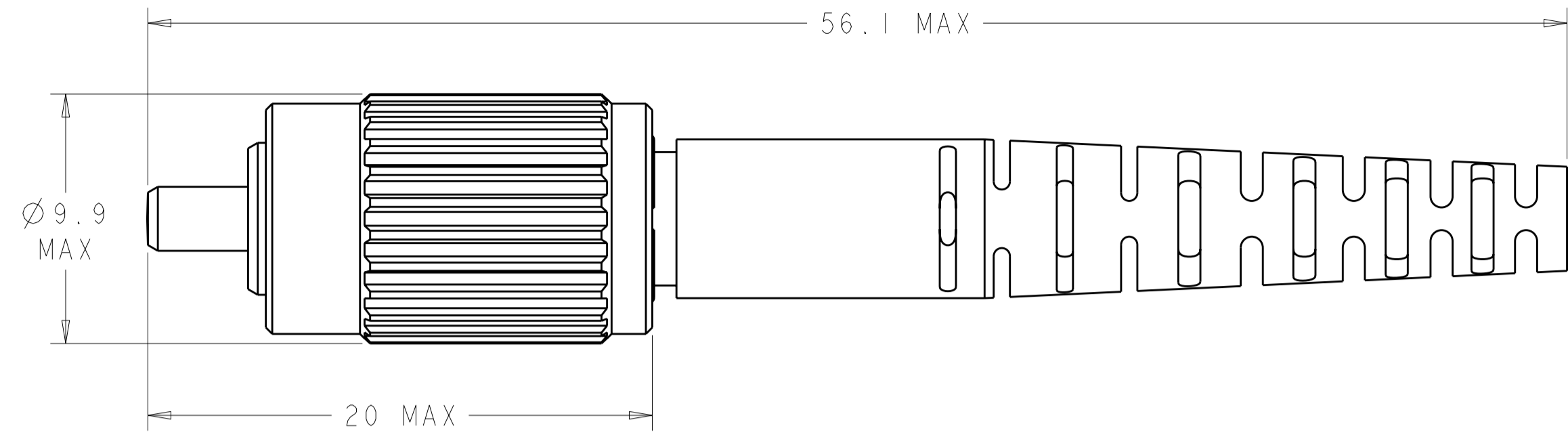


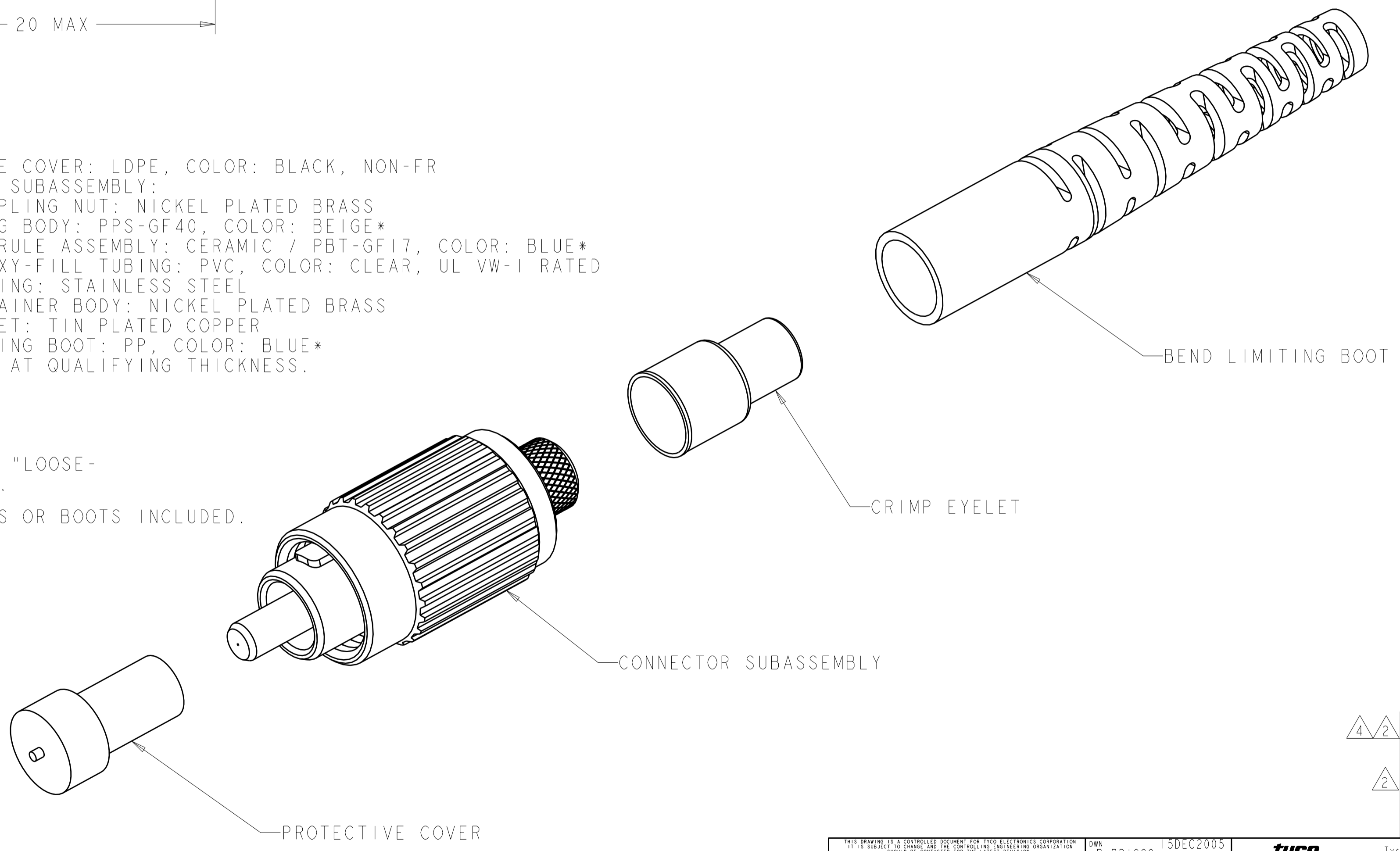
THIS DRAWING IS UNPUBLISHED. RELEASED FOR PUBLICATION 20
 © COPYRIGHT 20 BY TYCO ELECTRONICS CORPORATION. ALL RIGHTS RESERVED.

LOC	DIST	REVISIONS			
P	LTR	DESCRIPTION	DATE	DWN	APVD
CE	00	A	RELEASE TO ACTIVE	08JUN2006	BB SM



1 MATERIAL:
 PROTECTIVE COVER: LDPE, COLOR: BLACK, NON-FR
 CONNECTOR SUBASSEMBLY:
 COUPLING NUT: NICKEL PLATED BRASS
 PLUG BODY: PPS-GF40, COLOR: BEIGE*
 FERRULE ASSEMBLY: CERAMIC / PBT-GF17, COLOR: BLUE*
 EPOXY-FILL TUBING: PVC, COLOR: CLEAR, UL VW-1 RATED
 SPRING: STAINLESS STEEL
 RETAINER BODY: NICKEL PLATED BRASS
 CRIMP EYELET: TIN PLATED COPPER
 BEND LIMITING BOOT: PP, COLOR: BLUE*
 *UL94 V-0 RATED AT QUALIFYING THICKNESS.

- 2 BULK PACKAGE.
- 3. TO BE USED WITH "LOOSE-JACKETED" CABLE.
- 4 NO CRIMP EYELETS OR BOOTS INCLUDED.



4 2	6457216-5
	6457216-4
2	6457216-2
PART NUMBER	

THIS DRAWING IS A CONTROLLED DOCUMENT FOR TYCO ELECTRONICS CORPORATION. IT IS SUBJECT TO CHANGE AND THE CONTROLLING ENGINEERING ORGANIZATION SHOULD BE CONTACTED FOR THE LATEST REVISION.		DWN B. BRIGGS 15DEC2005	Tyco Electronics Harrisburg, PA 17105-3608	
DIMENSIONS: mm		CHK S. MILLER 15DEC2005	NAME CONNECTOR KIT, FC TYPE, SINGLEMODE, METAL RETAINER BODY	
TOLERANCES UNLESS OTHERWISE SPECIFIED: 0 PLC ± 1 PLC ± 2 PLC ± 3 PLC ± 4 PLC ± ANGLES ± FINISH		APVD S. BUCHTER 15DEC2005	SIZE A2	CAGE CODE 00779
MATERIAL		PRODUCT SPEC -	DRAWING NO 6457216	RESTRICTED TO -
1		APPLICATION SPEC -	SCALE 5:1	SHEET 1
		WEIGHT -	REV A	
		CUSTOMER DRAWING		