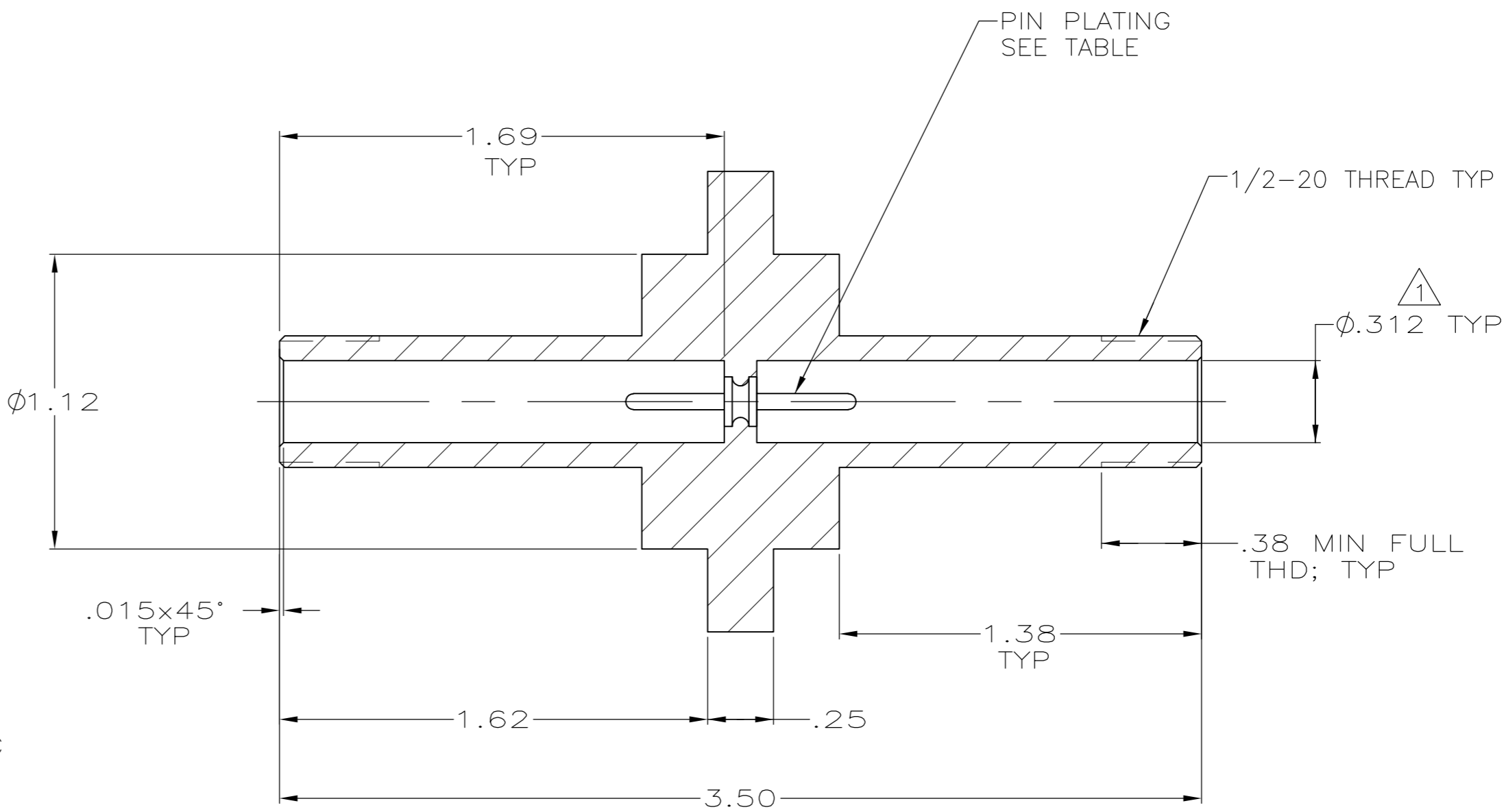
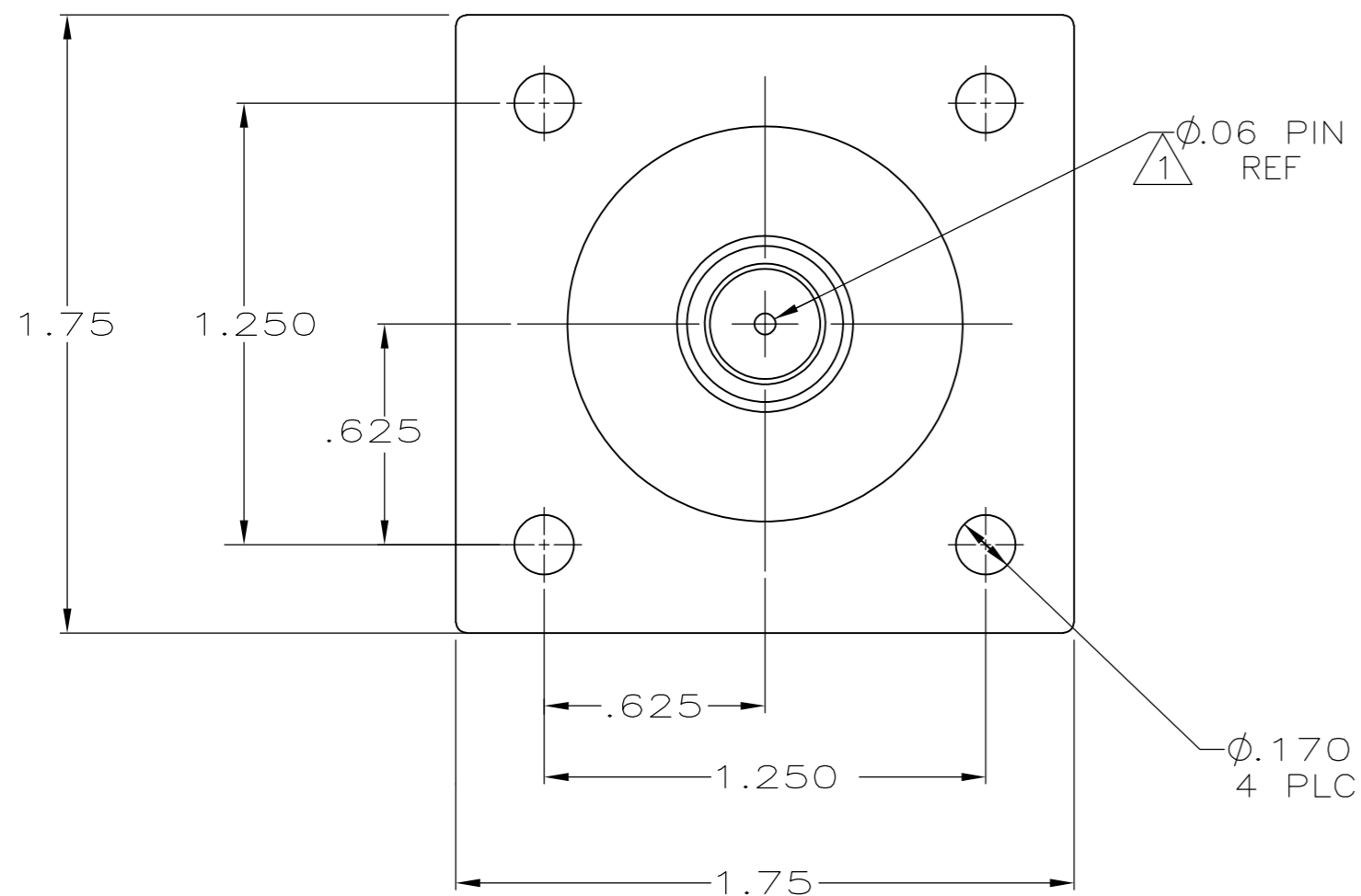


THIS DRAWING IS UNPUBLISHED. RELEASED FOR PUBLICATION
 © COPYRIGHT BY TYCO ELECTRONICS CORPORATION. ALL INTERNATIONAL RIGHTS RESERVED.

LOC	DIST	REVISIONS			
P	LTR	DESCRIPTION	DATE	DWN	APVD
DF	S0	F	REVISED PER ECO-10-025046	23DEC10	SK DE



- 1. DIAMETERS TO BE CONCENTRIC WITHIN .015 T.I.R.
- 2. RECEPTACLE WILL MATE WITH AMP-1L LEAD ASSEMBLY. AVAILABLE SEPARATELY.

GOLD PLATED CENTER PIN	858873-2
TIN PLATED CENTER PIN	858873-1
PIN FINISH	PART NUMBER

THIS DRAWING IS A CONTROLLED DOCUMENT.		DWN C.C.THOMAS 2-11-03	Tyco Electronics Corporation Harrisburg, PA 17105-3608	
DIMENSIONS: INCHES		CHK D.EABY 2-11-03	NAME RECEPTACLE ASSY,FEED-THRU,LGH-1L	
TOLERANCES UNLESS OTHERWISE SPECIFIED:		APVD D.EABY 2-11-03	PRODUCT SPEC	
0 PLC ± -		APPLICATION SPEC		
1 PLC ± -		WEIGHT -		
2 PLC ± .03		SIZE A2 CAGE CODE 00779 C=858873		
3 PLC ± .015		DRAWING NO		
4 PLC ± -		RESTRICTED TO		
ANGLES ± -		SCALE 2:1 SHEET 1 of 1 REV F		
FINISH BLACK		CUSTOMER DRAWING		