

ALUMINUM LED CHANNEL

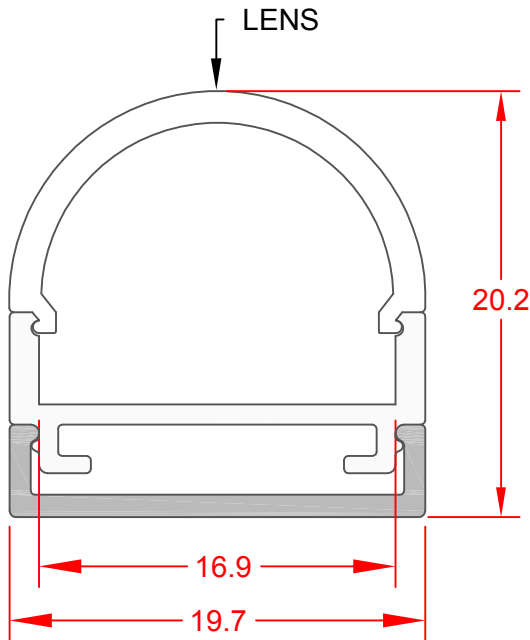
FEATURES

Compatible with all 8,10, and 12mm wide LED Flex Ribbons.

Each Channel includes 2 End Caps.

3 Lens Options: Milk White, Semi Clear or Clear.

Two Piece Sliding Fixture allows for direct mounting, no mounting clips required



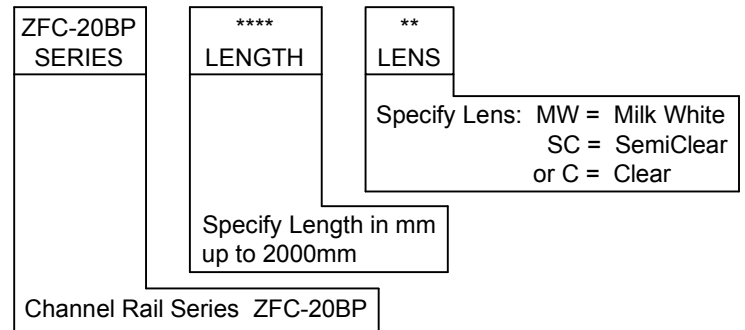
NOTES:

1. Rail Material 6063 Al Clear Anodized with a Matte Finish.
2. Lens Material is PMMA.
3. Operating Temperature -26 C to +60 C.

OPTIONAL ACCESSORIES

Solderless LED Flex Input Connector
JKL Part No. ZFS-CH140-I

CHANNEL LENGTH AND LENS ORDERING GUIDE



JKL Part Number Example: ZFC-20BP1000-MW
Channel Series with 1 Meter (1000mm) Length and Milk White Lens.

			METRIC THIRD ANGLE PROJECTION		DIMENSIONS ARE IN mm (INCHES) TOLERANCE UNLESS OTHERWISE SPECIFIED 1 PL +/- REF. 2 PL +/- REF. ANGLE +/-		JKL COMPONENTS CORPORATION								
					TITLE ALUMINUM LED CHANNEL										
B	ADD OPT. ACCESS. & CHANGE FEATURES	8/4/15	DRAWN BY	APP'VD BY	DATE	SIZE	FSCM NO.	DRAWING NO.	ZFC-20BP MULTI						
A	ADD SEMI CLEAR LENS	8/6/14	L. WENGSTROM	S.C.	8/4/15	A	55335								
	RELEASED	7/25/14				SCALE	RELEASED DATE	7/25/14	REVISION DATE	8/4/15					
REV. NO.	DESCRIPTION/ECO NUMBER	APP'VD DATE	- CAD DRAWING - MANUAL REVISIONS NOT PERMITTED			SCALE	NONE	RELEASED DATE	7/25/14	REVISION DATE	8/4/15	REV. NO.	B	SHEET	1 OF 1